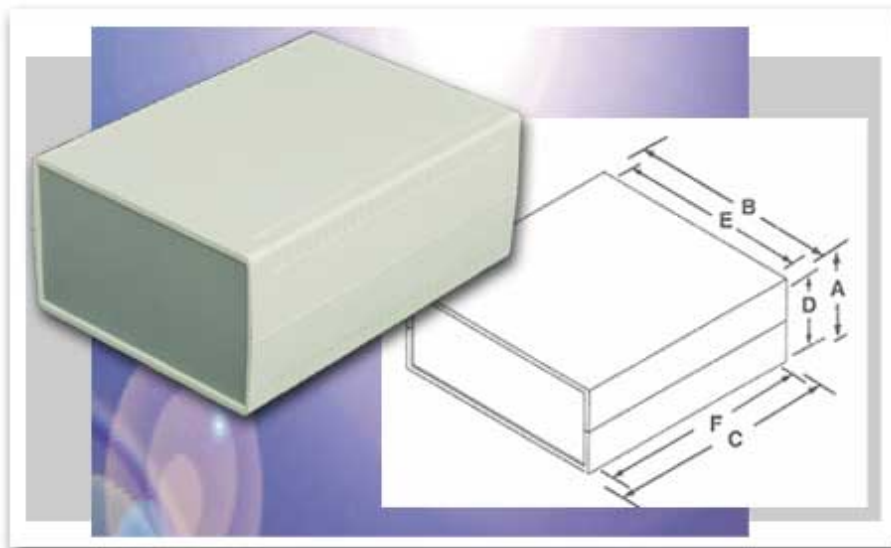


Plastic Boxes
Plasticase
Style E**Design Features**
Features

- Light gray top and bottom covers with dark gray end panels
- Textured surface makes the box more resistant to marring
- Included screws hold covers together which in turn capture the end panels
- Both top and bottom covers have internal PCB mounting bosses for horizontal board mounting and card guides for vertical board mounting
- Press-in rubber feet are included which cover the cover attachment screw heads and provide a non-slip surface
- Decorative edge detail provides an update modern look
- Durable UL94-HB rated ABS material
- Easily modified with common machine shop tools

Applications

- Test instruments
- Control Boxes
- Any application requiring a desktop plastic enclosure

Related Products

- Push Buttons
- LEDs
- Switches
- Printed Circuit Boards
- Meters

Key Customer Contacts

- Enclosure Specifier
- Design Engineers
- Product Development Managers
- Electronic Engineers

Plasticase Style E										
Catalog Number	External Dimensions			Internal Dimensions			Panel Size			Weight
	Height A	Width B	Depth C	Height D	Width E	Depth F	Height	Width	Thickness	(Ozs.)
PC-11460	1.42"	3.74"	6.22"	1.18"	3.50"	5.81"	1.20"	3.48"	.09"	5.2
PC-11461	1.85"	3.74"	6.22"	1.61"	3.50"	5.81"	1.63"	3.48"	.09"	5.7
PC-11462	2.28"	3.74"	6.22"	2.09"	3.50"	5.81"	2.07"	3.48"	.09"	6.3
PC-11463	1.42"	6.14"	7.09"	1.14"	5.86"	6.68"	1.20"	5.86"	.09"	9.0
PC-11464	1.73"	6.14"	7.09"	1.45"	5.86"	6.68"	1.52"	5.86"	.09"	9.6
PC-11465	2.05"	6.14"	7.09"	1.77"	5.86"	6.68"	1.83"	5.86"	.09"	10.2
PC-11466	1.57"	5.51"	7.48"	1.34"	5.19"	7.07"	1.36"	5.15"	.09"	8.9
PC-11467	2.40"	5.51"	7.48"	2.12"	5.19"	7.07"	2.14"	5.15"	.09"	10.0
PC-11468	3.15"	5.51"	7.48"	2.91"	5.19"	7.07"	2.93"	5.15"	.09"	11.2
PC-11469	1.57"	7.87"	11.02"	1.34"	7.63"	10.61"	1.36"	7.59"	.09"	16.2
PC-11470	2.40"	7.87"	11.02"	2.12"	7.63"	10.61"	2.14"	7.59"	.09"	18.3
PC-11471	3.15"	7.87"	11.02"	2.91"	7.63"	10.61"	2.93"	7.59"	.09"	20.4

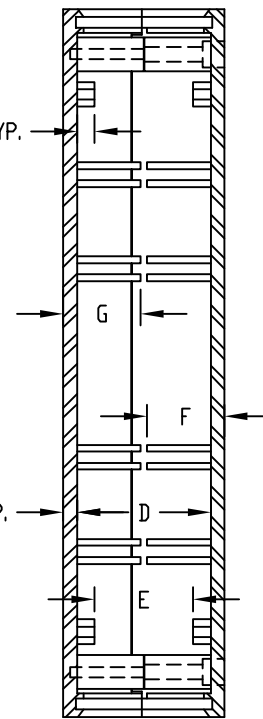
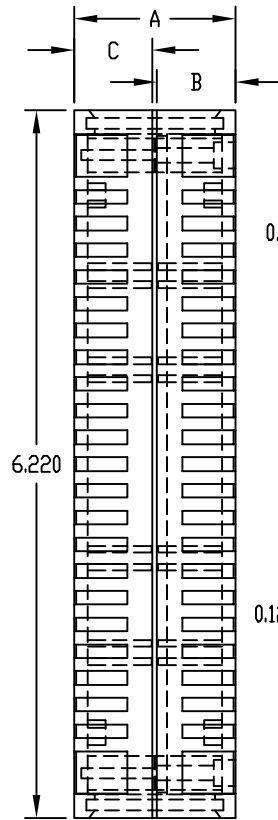
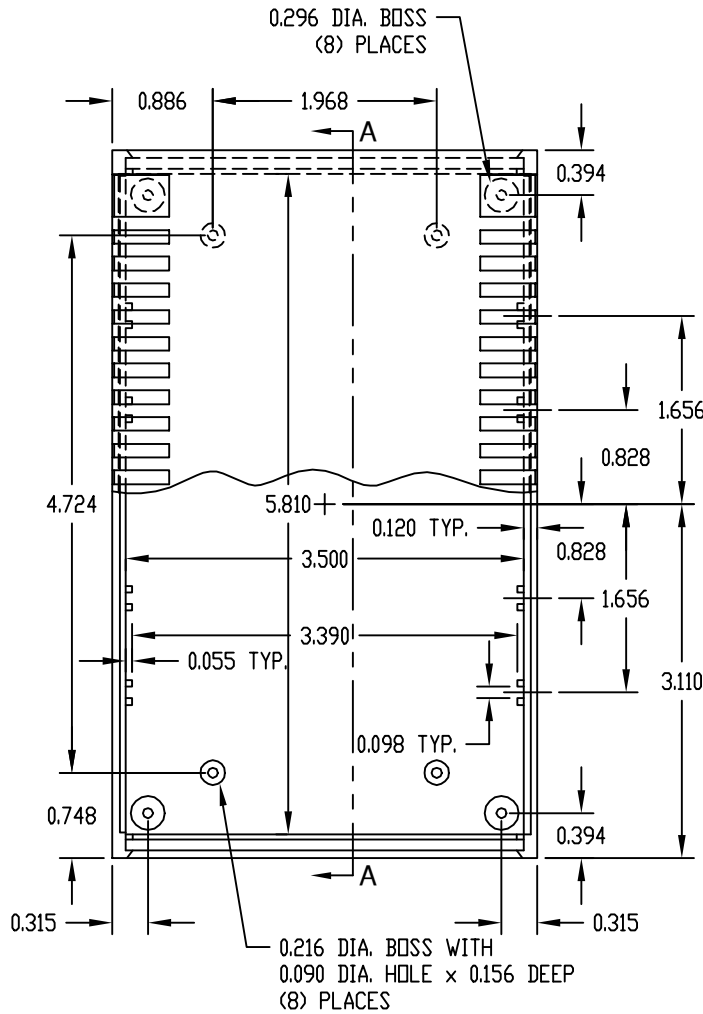
BUD INDUSTRIES INC.
P.O. Box 998
Willoughby, Ohio 44094
Phone: 440-946-3200 Fax: 440-951-4015
E-Mail: saleseast@budind.com

PART NAME

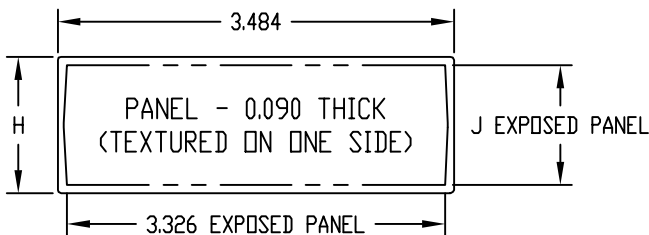
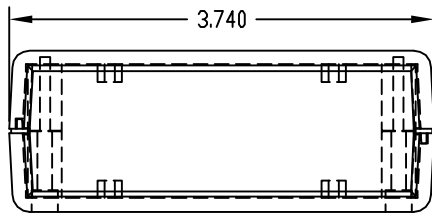
PLASTICASE

PART No.

PC-11460, PC-11461 & PC-11462



SECTION "A-A"



MATERIAL: ABS THERMOPLASTIC (UL 94-HB RATED)

FINISH: TOP & BOTTOM _____ LIGHT GRAY
PANELS _____ DARK GRAY

FOR PC-11460 & PC-11461
FOUR (4) M3 x 1.000 LG SCREWS SUPPLIED
FOR ASSEMBLING BOTTOM TO TOP.

FOR PC-11462
FOUR (4) M3 x 1.218 LG SCREWS SUPPLIED
FOR ASSEMBLING BOTTOM TO TOP.

FOUR (4) RUBBER STICK-ON FEET SUPPLIED.

MOUNTING BOSSES USE EITHER M2.5 METRIC
OR #4 STD. SHEET METAL SCREWS x 3/16 LG.
(NOT SUPPLIED)

NOTE: ALL DIMENSIONS HAVE ±0.015 TOLERANCE
UNLESS OTHERWISE SPECIFIED.

PART NO.	A	B	C	D	E	F	G	H	J
PC-11460	1.417	0.689	0.689	1.177	0.865	0.680	0.680	1.200	1.057
PC-11461	1.850	0.689	1.122	1.610	1.298	0.680	1.113	1.633	1.490
PC-11462	2.283	1.122	1.122	2.043	1.731	1.113	1.113	2.066	1.923